

# High Voltage Opto-diode - Axial Lead

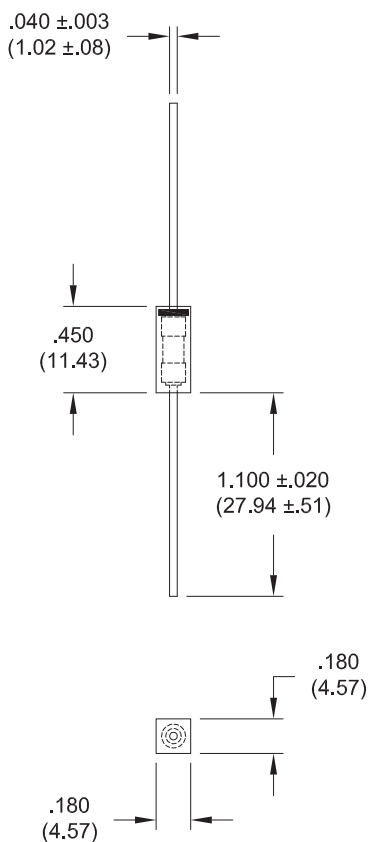
0.30A - 0.50A • 3000ns

ELECTRICAL CHARACTERISTICS AND MAXIMUM RATINGS														
Part Number	Working Reverse Voltage (V <sub>rwm</sub> )	Average Rectified Current (I <sub>o</sub> )		Reverse Current @ V <sub>rwm</sub> (I <sub>r</sub> )		Forward Voltage (V <sub>f</sub> )		1 Cycle Surge Current t <sub>p</sub> =8.3ms (I <sub>fsm</sub> )	Repetitive Surge Current (I <sub>frm</sub> )	Reverse Recovery Time (3) (T <sub>rr</sub> )	Thermal Impedance θ <sub>J-L</sub>			Junction Cap. @50VDC @ 1kHz (C <sub>j</sub> )
		55°C(1)	100°C(2)	25°C	100°C	25°C		25°C	25°C	25°C	25°C	L=000	L=.125	L=.250
	Volts	Amps	Amps	µA	µA	Volts	Amps	Amps	Amps	ns	°C/W	°C/W	°C/W	pF
OZ100SG	10000	0.50	0.25	1.0	25	12.0	0.60	25	5.0	3000	6	9	15	8
OZ150SG	15000	0.30	0.15	1.0	25	18.0	0.30	10	2.0	3000	6	9	18	5

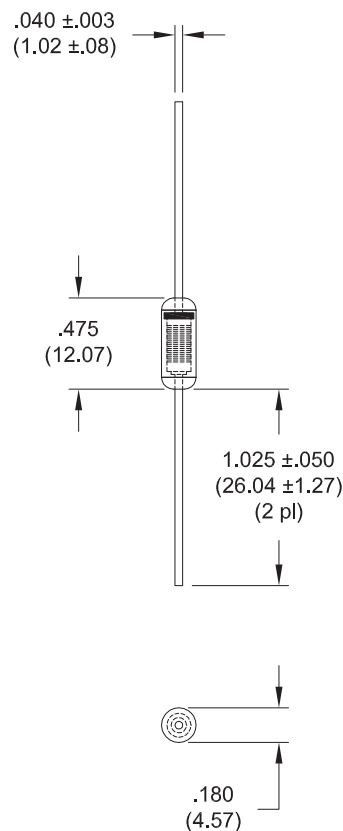
(1)TL=55°C L=0.375" (2)TL=100°C L=0.375" (3)I<sub>f</sub>=0.5A, I<sub>r</sub>=1.0A, I<sub>rr</sub>=0.25A \*Op.Temp.= -40°C to +70°C Stg.Temp.= -40°C to +100°C

Tolerance:  
.XXX ±.010

OZ100SG



OZ150SG



Dimensions: In. (mm) • All temperatures are ambient unless otherwise noted. • Data subject to change without notice.



Voltage Multipliers Inc.

8711 W. Roosevelt Ave.  
Visalia, CA 93291 USA

Tel: 559.651.1402  
Fax: 559.651.0740

[www.voltagemultipliers.com](http://www.voltagemultipliers.com)  
[www.highvoltagepowersupplies.com](http://www.highvoltagepowersupplies.com)

# OZ100SG OZ150SG

