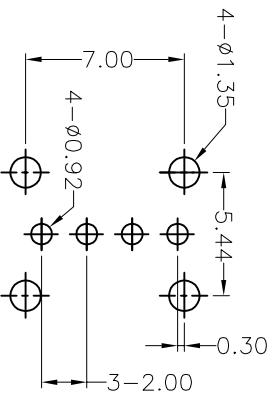
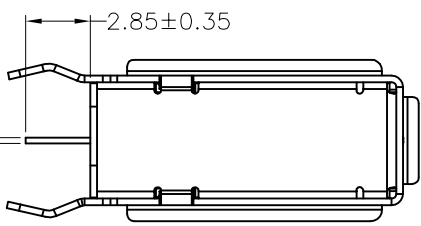
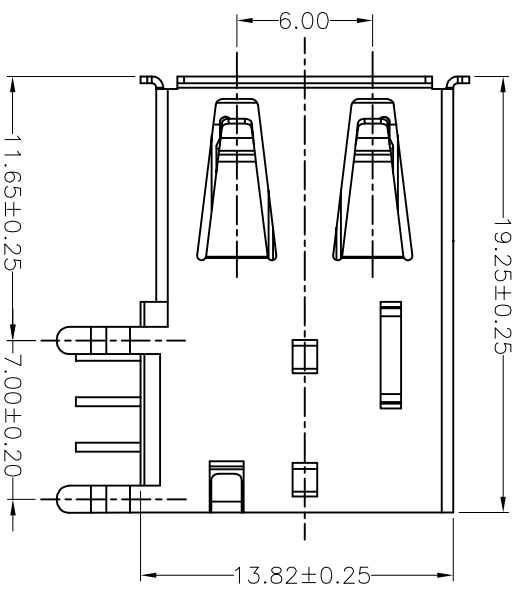
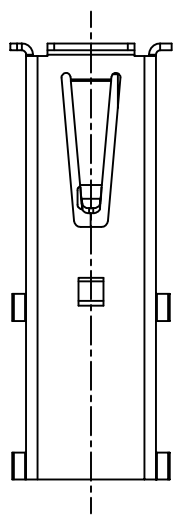
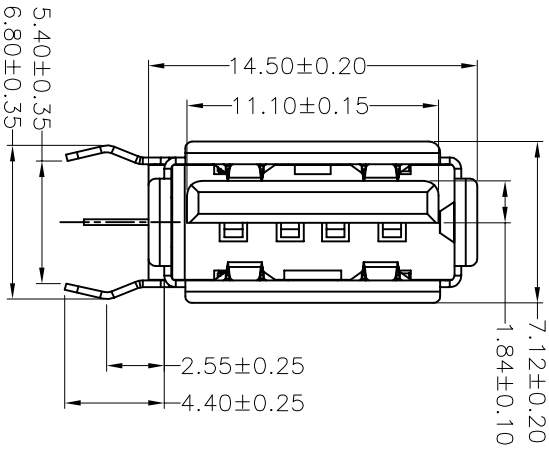


REV.	ECN NO.	MODIFY CONTENT	DATE
A		NEW	2013/05/28

- Specification:
- 1.Current Rating: 1AMP At 250V AC
Voltage Rating: 30V
 - 2.Insulation Resistance: 1000MΩ Min
 - 3.Contant Resistance:30mΩ MAX
 - 4.Dielectric Withstanding Voltage:500V AC
 - 5.Temperature Range:-20°C to +60°C
 - 6.Insertion Force:35 Newtons maximum



RECOMMENDED PCB HOLE LAYOUT
TOP VIEW(TOLERANCE:±0.10)

2.00±0.20 0.30±0.20 2.00±0.20

NO.	VARIETY	MATERIAL	QT,Y	REMARK
1	Contact	C2680EH	4	T=0.25 Plateg Gold
2	Housing	P.B.T	1	UL94V-0 Nature/Black/White
3	Back Plug	P.B.T	1	UL94V-0 Nature/Black/White
4	Front Shell	C2680H	1	T=0.30 Plateg nickel/Tin
5	Back Shell	SPCC	1	T=0.30 Plateg nickel/Tin

GENERAL TOLERANCE		DWG NO.	JYSA0528-001	APPD:	WIND	Scale	1:1
X±0.45	x:±5°	Title	USB A TYPE(FEMALE) SIDE DIP 90°	CHKD:		UNIT	mm
X±0.35	x'±2°	Part NO.	JYS-USB200-011	DR:			
.XX±0.25	.xx'±1°			Date	2013/05/28		
.XXX±0.15	.xxx'±0.5°						

JYS 杰宇森电子有限公司
JIE YU SEN ELECTRONIC CO., LTD.