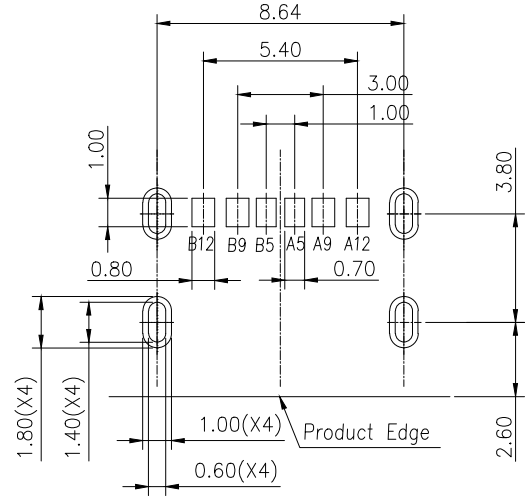
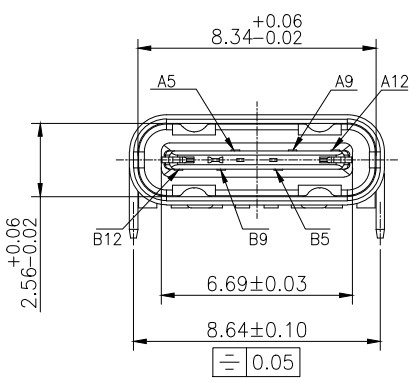
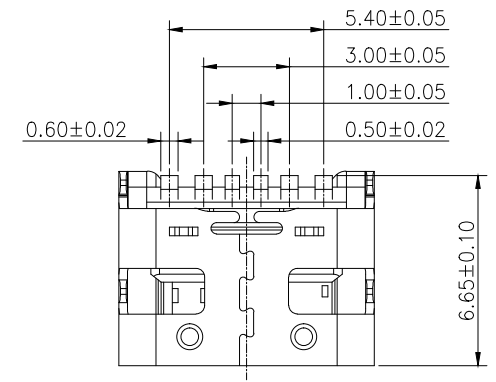
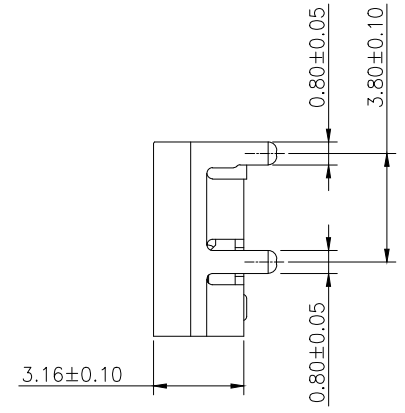
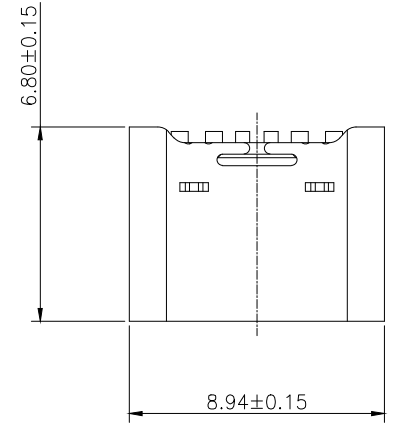
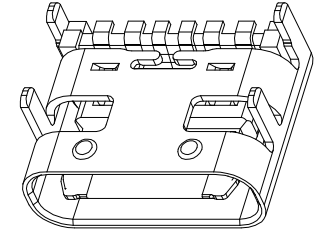
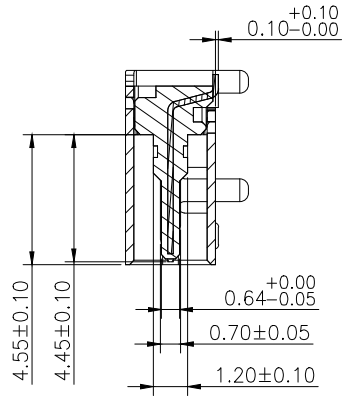
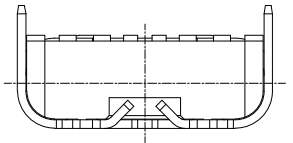


REV.	ECN.NO.	MODIFY.CONTENT	DATE
A		NEW	2017/06/09



Specification:

- 1.Electrical Characteristics:
 Contact Current Rating: 3 Amperes Max.
 Rated Voltage: 30V Max.
 Dielectric Withstanding Voltage: AC 100V r.m.s.
 Insulation Resistance: 100 MΩ Minimum.
 Contact Resistance: 40 mΩ Maximum.
- 2.Environmental:
 Operating Temperature: $-40^{\circ}\text{C} \sim +85^{\circ}\text{C}$.
- 3.Mechanical Characteristics:
 Insertion Force: 5~20Nf.
 Withdrawal Force: 6~20Nf.
 Durability Cycles: 10000 Cycles.
4. (xx) Make is FAI test Dimension
 ▼ Make is major test Dimension

A5	CC1	B5	CC2
A9	VBUS	B9	VBUS
A12	GND	B12	GND
PIN	SIGNAL NAME	PIN	SIGNAL NAME

RECOMMENDED P.C.B. LAYOUT
 TOLERANCE UNSPECIFIED $\pm 0.05\text{mm}$

GENERAL TOLERANCE		DWG NO.	JYSA1505-001	APPD:	WIND	Scale	1:1
$X. \pm 0.45$	$x.^{\circ} \pm 5^{\circ}$	Title	USB TYPE C 6PIN 母座	CHKD:		UNIT	mm
$.X \pm 0.35$	$.x.^{\circ} \pm 2^{\circ}$			DR:			
$.XX \pm 0.25$	$.xx.^{\circ} \pm 1^{\circ}$	Part NO.	JYS-USB864-010A	Date	2017/06/09		
$.XXX \pm 0.15$	$.xxx.^{\circ} \pm 0.5^{\circ}$						
SHEET	1/1			Shenzhen JYSCONN Electronics Co., LTD.			