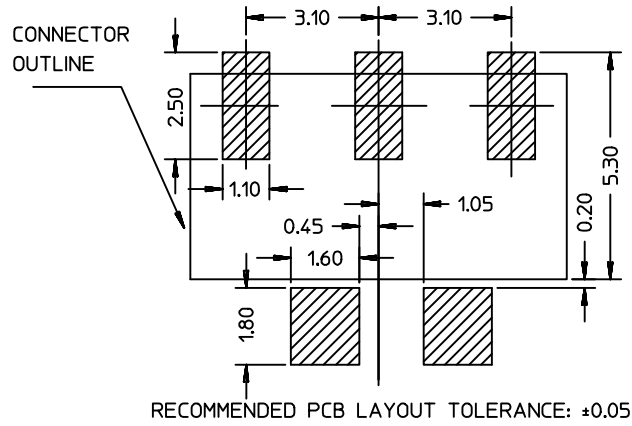
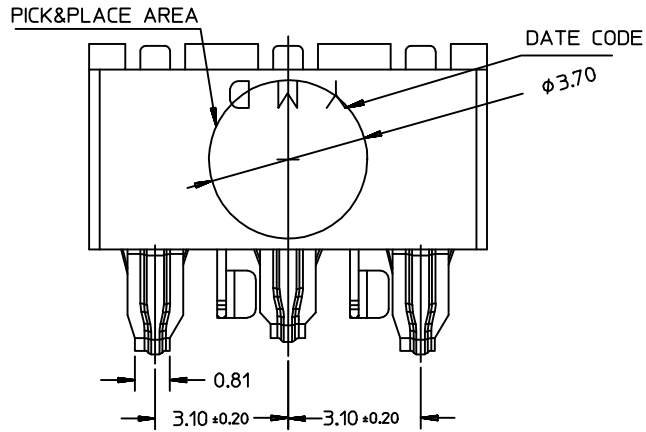
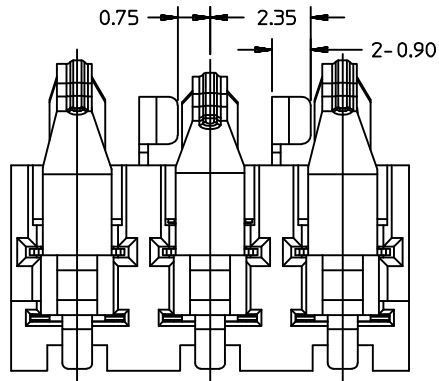
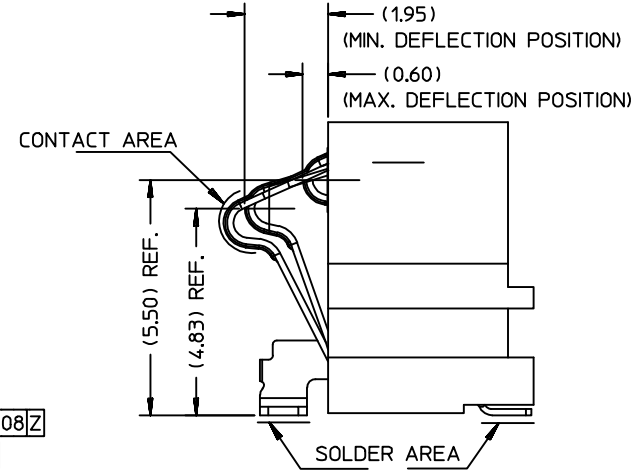
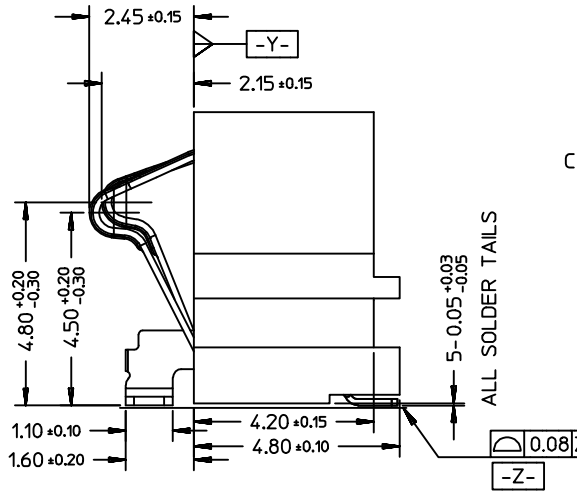
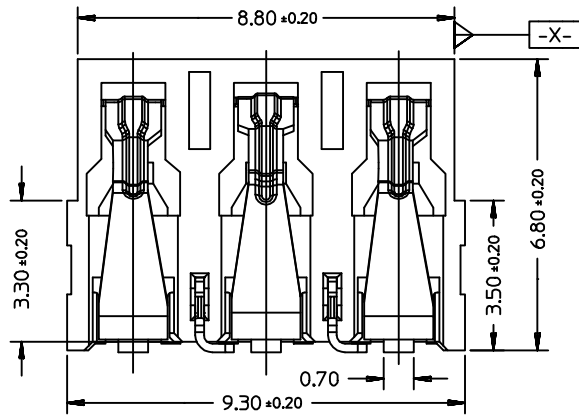


REV.	ECN.NO.	MODIFY.CONTENT	DATE
A		NEW	2012/02/29



- NOTES:
- MATERIAL SEE TBALE.
  - PLATING:
    - CONTACT:
      - PLATING 2~6.25um Ni OVERALL;
      - PLATING 0.025~0.125um Au ON SOLDER AREA;
      - PLATING 0.025~0.125um Au ON CONTACT AREA;
    - HOLD DOWN
      - PLATING 2~4um Ni OVERALL;
      - PLATING 2~4um Sn OVERALL;



GENERAL TOLERANCE		DWG NO.	JYSA1018-02	APPD:	WIND	Scale	1:1
X $\pm 0.45$	x' $\pm 5'$	Title	BATTERY 3PIN 3.1PITCH 6.8H WITHOUT POST	CHKD:		UNIT	mm
.X $\pm 0.35$	.x' $\pm 2'$			DR:			
.XX $\pm 0.25$	.xx' $\pm 1'$	Part NO.	JYS-BY680-124	Date	2012/02/29		
.XXX $\pm 0.15$	.xxx' $\pm 0.5'$						
SHEET	1/1						

**JYSCONN** Shenzhen  
JYSCONN Electronics Co., LTD.