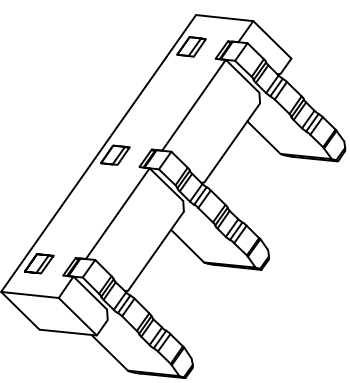
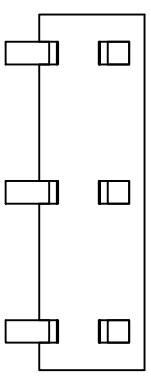
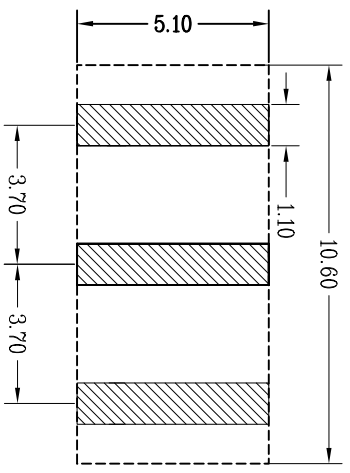
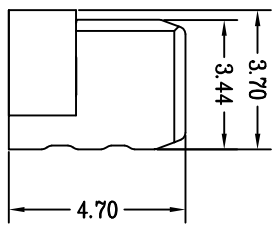
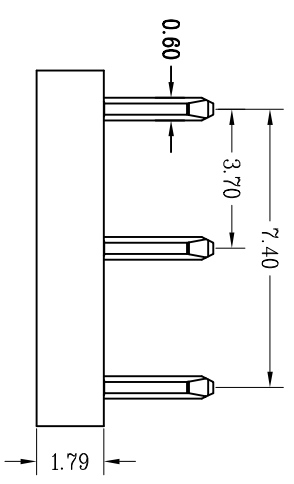
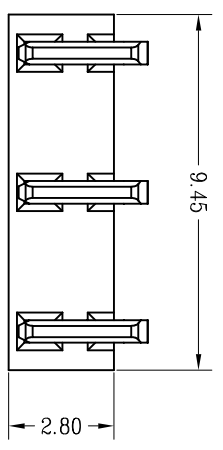


REV.	EGN.NO.	MODIFY CONTENT	DATE
A		NEW	2011/10/31




- NOTES:
1. CONTACT CURRENT RATING: 1.0A.
 2. CONTACT RESISTANCE: 50 mΩ MAX.;
 3. INSULATION RESISTANCE: 1000Ω MIN.;
 4. DIELECTRIC WITHSTANDING: 300V AC MIN.;
 5. DURABILITY: 5,000 CYCLES MIN.;
 6. CONNECTOR MATING FORCES: 29.8N (3.00kgf) MAX.;
 7. CONNECTOR UNMATING FORCES: 3N(0.31kgf) MIN.;
 8. PRODUCT MEET THE REQUEST OF THE RoHS, SEE TABLE A:

TABLE A:

MATTER	RoHs (PPM)
Cd	≤ 100
Pb	≤ 1000
Hg	≤ 1000
Cr6+	≤ 1000
PBB	≤ 1000
PBDE	≤ 1000

ITEM	PART NAME	Q'TY	MATERIAL	DESCRIPTION	REMARK
②	HOUSING	1	LCP+30%GF		BLACK
①	CONTACT A	3	PHONPHOR BRONZE 0.60T	Gold Flash	

GENERAL TOLERANCE	DWG NO.	JYSA0613-001	APPD:	WIND	Scale	1:1
X±0.45	X:±5'				UNIT	mm
X±0.35	X:±2'	Title	BATTERY 3PIN CONNECTOR H3.7 规格	CHKD:		
.XX±0.25	.XX'±1'	Part NO.	JYS-BY370-114	DR:		
.XXX±0.15	.xxx'±0.5'			Date	2011/10/31	
SHEET 1/1						


 杰宇森电子有限公司
 JIE YU SEN ELECTRONIC CO., LTD.