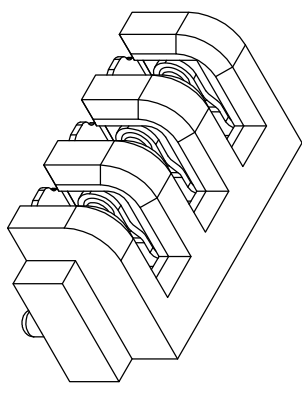
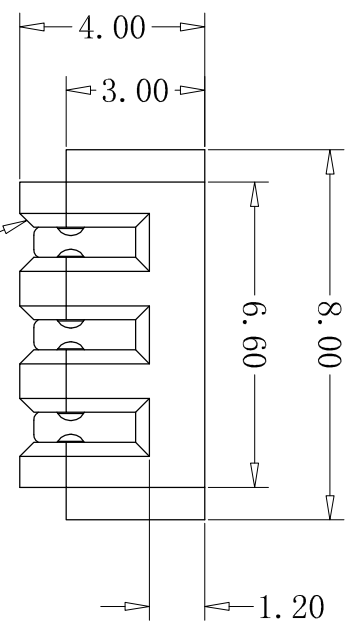
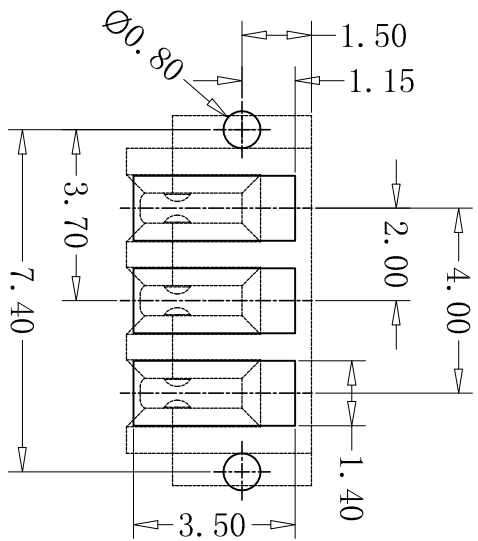
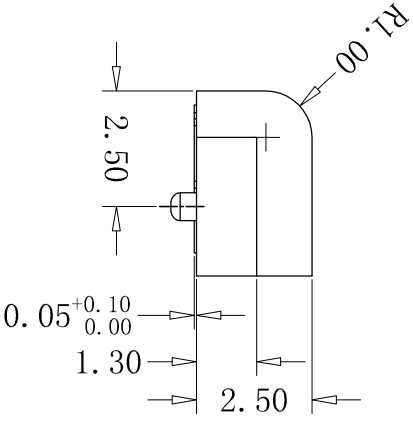
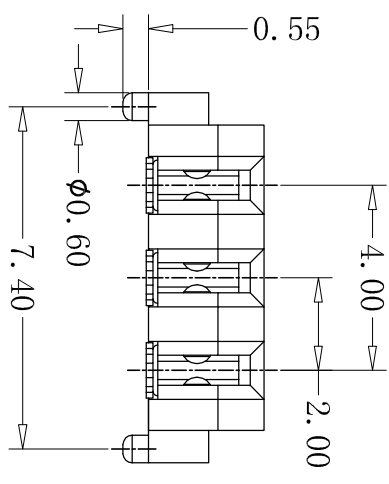


REV.	EON.NO.	MODIFY.CONTENT	DATE
A		NEW	2017/07/29



3D VIEW



RECOMMENDED PCB LAYOUT
TOLERANCE: ±0.05

NOTE:

- 1.MATERIAL:
 - 1.1 HOUSING: HIGH TEMPRATURE THERMOPLASTIC, UL 94V-0 COLOR: BLACK.
 - 1.2 TERMINAL :COPPER ALLOY
 - 1.3 STATOR: COPPER ALLOY
- 2.PLATING:
 - 2.1 CONTACT: NI UNDERPLATING OVER ALL
 - GOLD FLASH ON CONTACT AREA

GENERAL TOLERANCE		DWG NO.	JYSA1126-02	APPD:	WIND	Scale	1:1
X±0.25	X:±40°	Title	Battery 3p PH2.0 H=2.5mm每座	CHKD:		UNIT	mm
X±0.20	X:±30°	Part NO.	JYS-BY250-139	DR:			
XX±0.15	.XX'±20°			Date	2017/07/29		
.XXX±0.10	.xxx'±15°						
SHEET	1/1						


 杰宇森电子有限公司
 JIE YU SEN ELECTRONIC CO., LTD.