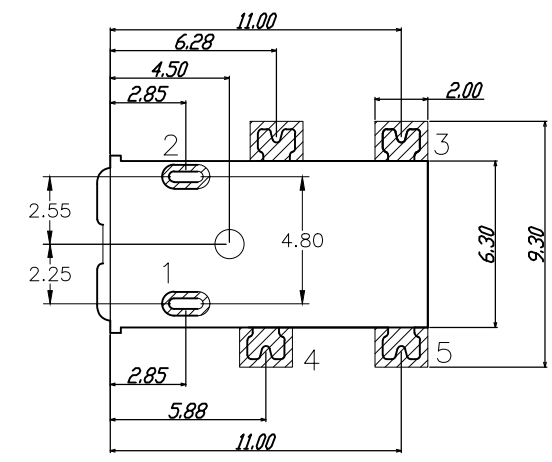
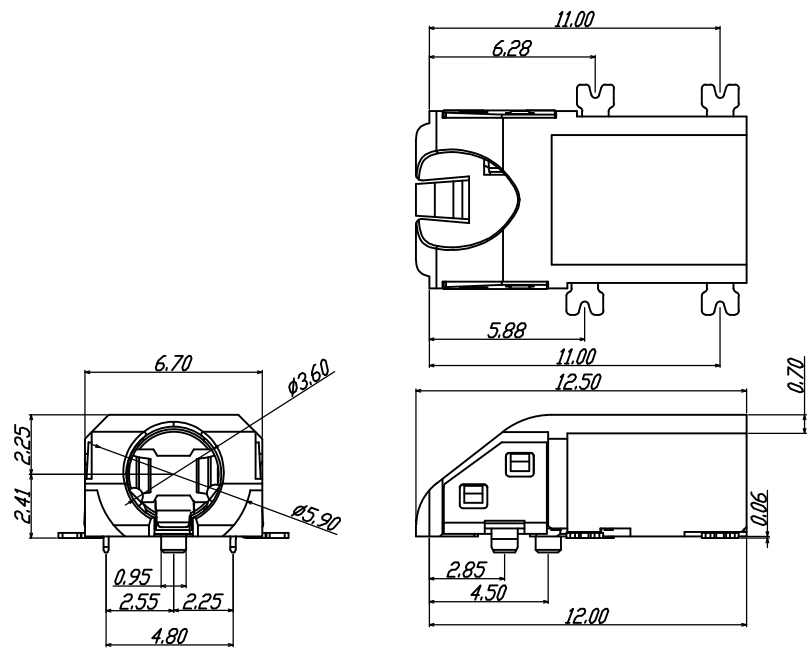
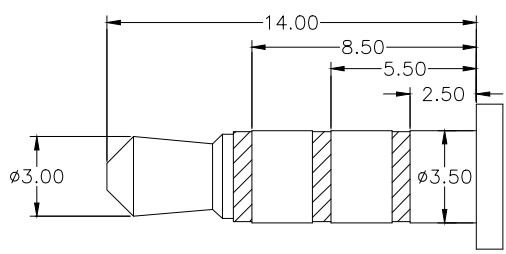


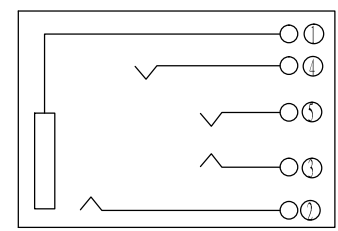
REV.	ECN.NO.	MODIFY.CONTENT	DATE
A		NEW	2014/12/31



P.C.B LAYOUT  
TOP VIEW



$\phi 3.50$  4 POLE PLUG



SCHMATIC

- NOTES:
- MATERIAL:
    - 1.1 HOUSING: UL94V-0, COLOR: BLACK
    - 1.2 CONTACT: SUS ALLOY
  - PLATING:
    - 2.1 CONTACTS PLATING: SEE ORDERING INFORMATION
  - RATING:
    - 3.1 OPERATING VOLTAGE: 30VAC/DC.
    - 3.2 CURRENT RATING: 0.5A AC/DC.
    - 3.3 OPERATING TEMPERATURE:  $-25^{\circ}\text{C} \sim +85^{\circ}\text{C}$

GENERAL TOLERANCE		DWG NO.	JYSA1231-001	APPD:	WIND	Scale	1:1
X. $\pm 0.45$	x.' $\pm 5$ '	Title	3.50 6PIN XIEKOU TYPE JACK	CHKD:		UNIT	mm
.X $\pm 0.35$	.x' $\pm 2$ '			DR:			
.XX $\pm 0.25$	.xx' $\pm 1$ '	Part NO.	JYS-JK470-015	Date	2014/12/31		
.XXX $\pm 0.15$	.xxx' $\pm 0.5$ '						
SHEET	1/1			Shenzhen <b>JYSCONN Electronics Co., LTD.</b>			