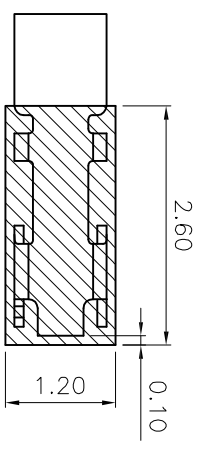
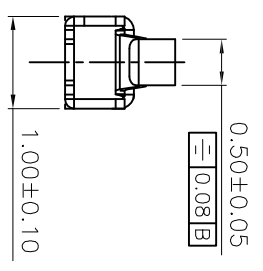
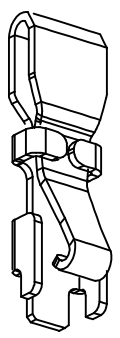
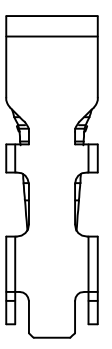
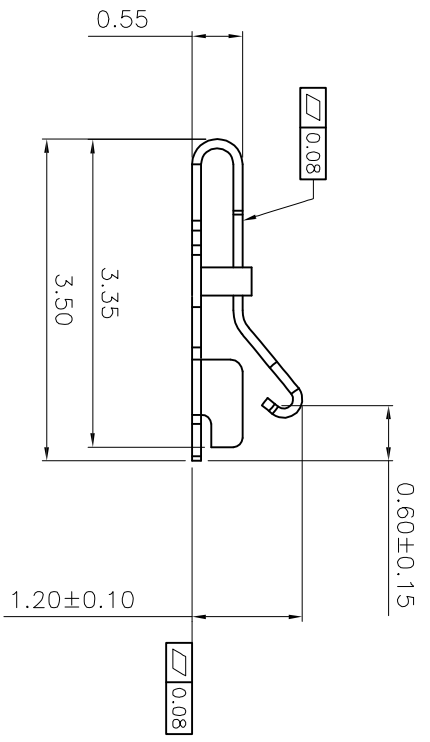
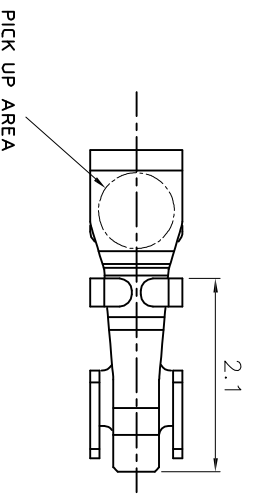


REV.	EGN.NO.	MODIFY CONTENT	DATE
A		NEW	2013/10/31



RECOMMEND PCB LAYOUT
GENERAL TOLERANCE ±0.05

NOTES:

- MATERIAL AND FINISH
 - MATERIAL: STAINLESS STEEL,T=0.10MM.
 - FINISH: GOLD PLATED ON CONTACT AND SOLDER AREA.
- ELECTRICAL PERFORMANCE:
 - CURRENT RATING: 1.0A
 - VOLTAGE RATING: 15V AC/DC MAX..
 - CONTACT RESISTANCE: 100 MILLIOHMS MAX.
 - DIELECTRIC WITHSTANDING VOLTAGE: 500V AC, 1 MINUTE
- MECHANICAL PERFORMANCE:
 - NORMAL FORCE: 0.5N MIN. ON WORKING POSITION,
 - DURABILITY: 500 CYCLES.
- OPERATION TEMPERATURE: -25°~+85°
- PACKING: REEL & TAPE

GENERAL TOLERANCE		DWG NO.	JYSA0528-012	APPD:	WMD	Scale	1:1
X±0.20	X:±2.0°	Title	天线弹片 L3.5*H1.0*H1.2	CHKD:		UNIT	mm
X±0.10	X:±1.0°	Part NO.	JYS-TP120-021	Date	2013/10/31		
.XX±0.05	.XX:±0.5°						
.XXX±0.03	.xxx:±0.5°						
SHEET	1/1						


 杰宇森电子有限公司
 JIE YU SEN ELECTRONIC CO., LTD.