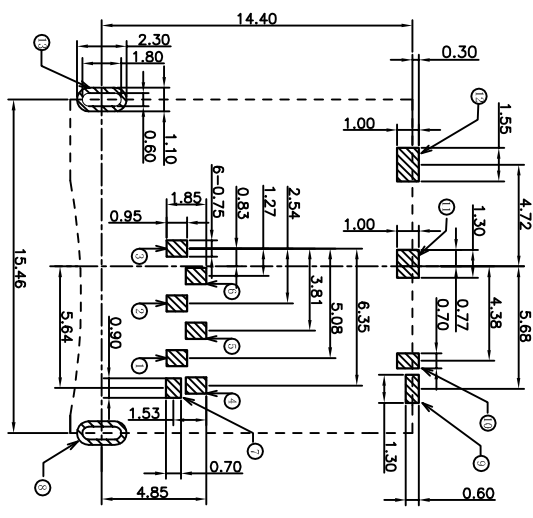
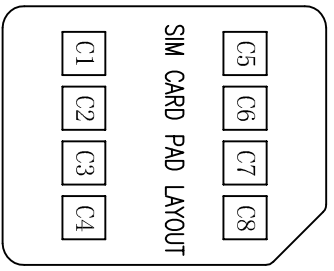
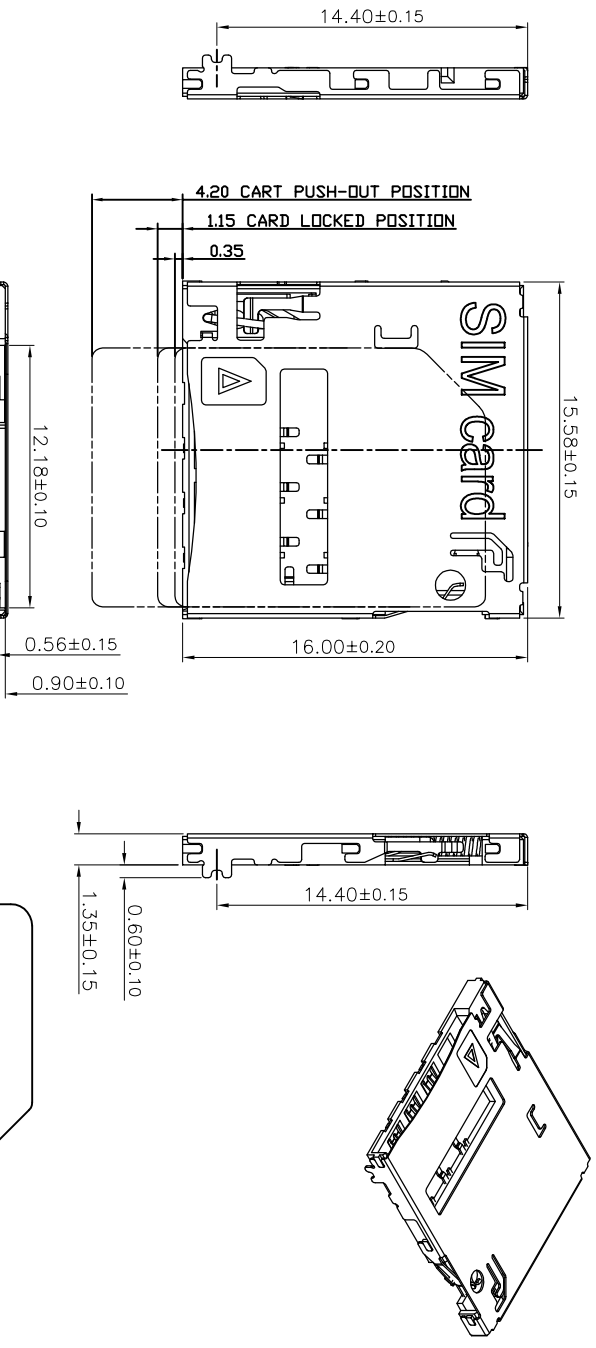


REV.	EON.NO.	MODIFY CONTENT	DATE
A		NEW	2016/08/08



Connector pin Assignment

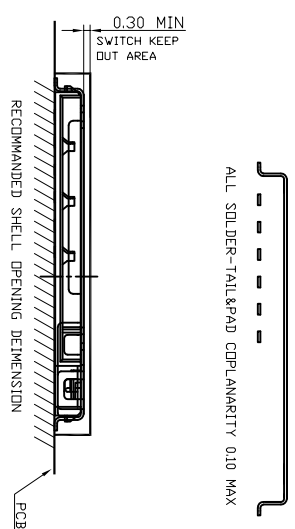
No.	Pin Name	Description
○1	C1	Vcc of SIM
○2	C2	RST of SIM
○3	C3	CLK of SIM
○4	C5	GND of SIM
○5	C6	Vpp of SIM
○6	C7	I/O of SIM
○7	SW	Detection Switch
○8	GND	Shell Ground

SIM Card Pin Assignment

Pin No.	Name
C1	Vcc
C2	RST
C3	CLK
C4	Reserved
C5	GND
C6	Vpp
C7	I/O
C8	Reserved

NOTE:

- 材质及电镀方式 (MATERIAL AND FINISH)
 - 塑胶 (HOUSING): LCP
 - UL 94V-0, COLOR: BLACK
 - 端子 (CONTACT): COPPER ALLOY
 - GOLD FLASH PLATING ON CONTACT AREA, GOLD FLASH PLATING ON SOLDER TAILS
 - 50u" NICKEL UNDER PLATING OVER ALL
 3. 铁壳 (SHELL): SUS304-3/4H
 - 40u" NICKEL UNDER PLATING OVER ALL
- 机械特性 (MECHANICAL CHARACTERISTICS):
 1. 寿命 (Insertion Force): 2.0kgf Max
 2. 拔出力 (Withdrawal Force): 0.1kgf Min
 3. 耐久性 (Durability): 5000次
- 电气特性
 1. 额定电流 (Current rating): 1.0A AC/DC
 2. 接触电阻 (Contact resistance): 100mΩ MAX
 3. 绝缘电阻 (Insulation resistance): 500MΩ MIN
 4. 适用温度 (Operating temperature): -20℃~65℃



GENERAL TOLERANCE	DWG NO.	JYSA1506	APPD:	WIND	Scale	1:1
X±0.45	X±15'	MICRO SIM CARD PUSH TYPE	CHKD:		UNIT	mm
X±0.35	X±12'	1.35H 内插插板	DR:			
XX±0.25	.XX±1'	Part NO.	Date	2016/01/09		
.XXX±0.15	.xxx±0.5'	JYS-SIM135-155				
SHEET 1/2						

JYS 杰宇森 电子有限公司
JIE YU SEN ELECTRONIC CO., LTD.