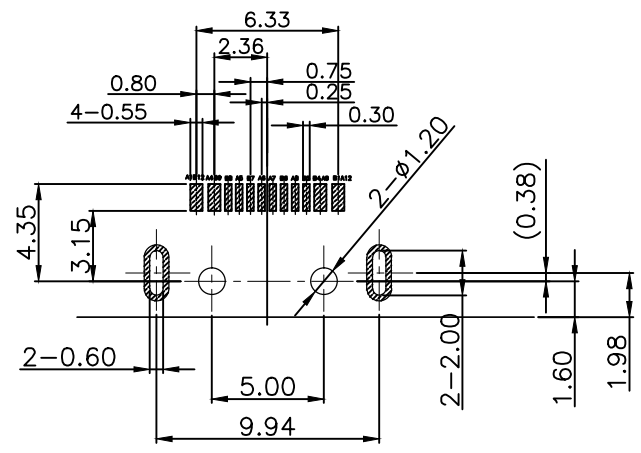
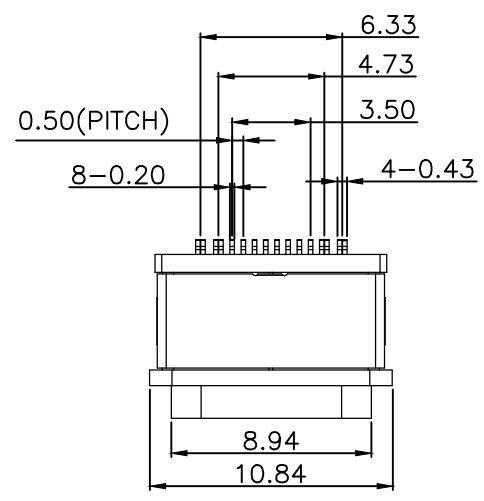


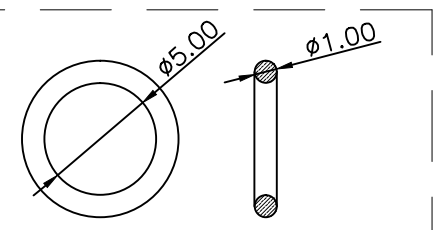
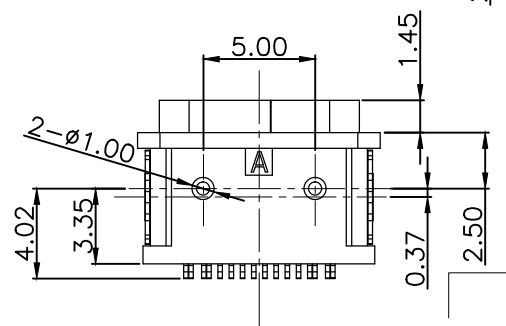
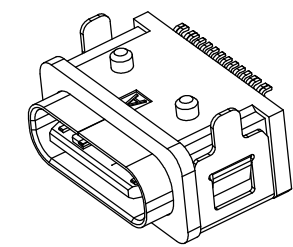
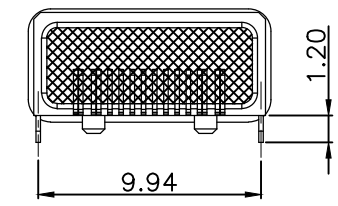
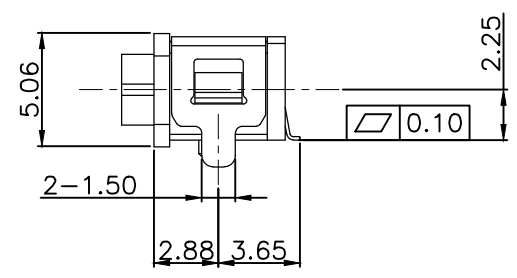
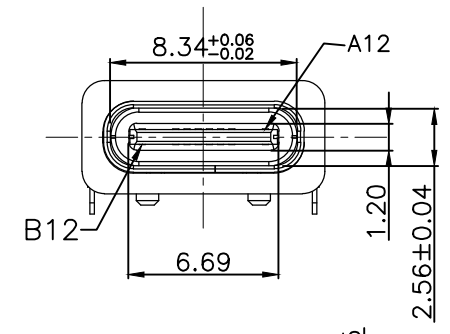
REV.	ECN.NO.	MODIFY.CONTENT	DATE
A		NEW	2017/11/25



Recommended P.C.B. Layout
Unspecified tolerance: ±0.05
(Top view)

SPECIFICATION:

1. CURRENT RATING: 3.0A MAX
2. DIELECTRIC WITHSTAND VOLTAGE: 100VAC
3. TEMPERATURE RANGE: -30 °C ~ 85 °C
4. CONTACT RESISTANCE: 40 MILLIONHM MAX
5. INSULATION RESISTANCE: 100 MEGOHMS MIN.
6. INSERTION FORCE : 5N~20N
7. UNMATING FORCE: 8N~20N
8. DURABILITY:10,000 CYCLES
9. WATER PROOFNESS:THIS PRODUCT IS BASED ON IPX8.



注: 防水圈是圆形截面, 直径为1.0mm的硅胶圈, 防水圈挤压量, 由1.0mm挤压到0.5mm ~ 0.6mm, 防水效果好

A1	GND	B12	GND
A4	VBUS	B9	VBUS
A5	CC1	B8	SBU2
A6	DP1	B7	DN2
A7	DN1	B6	DP2
A8	SBU1	B5	CC2
A9	VBUS	B4	VBUS
A12	GND	B1	GND
PIN	SIGNAL NAME	PIN	SIGNAL NAME

5	Shell2	1	SUS301 Ni Plating T=0.20mm	Ni:40u"Min;
4	Shell1	1	SUS301 Ni Plating T=0.25mm	Ni:40u"Min;
3	Housing2	1	PA10T(G.F30%)	
2	Contact	6	Phosphor bronze C5210R-EH Au/Ni Plating T=0.20mm	Ni:40u"Min; Au:CONTACT AREA:3u", OTHER AREA:G/F
1	Housing	1	PA10T (G.F30%)	
ITEM	PART NAME	Q' TY	FINISH	NOTE

GENERAL TOLERANCE		DWG NO.	JYSA0413-02	APPD:	WIND	Scale	1:1
X.±0.45	x.'±5'	Title	USB C F 16PIN SMT CONN 防水型 有柱	CHKD:		UNIT	mm
.X±0.35	.x'±2'			DR:			
.XX±0.25	.xx'±1'	Part NO.	JYS-USB994-090	Date	2017/11/25		
.XXX±0.15	.xxx'±0.5'						
SHEET	1/1						