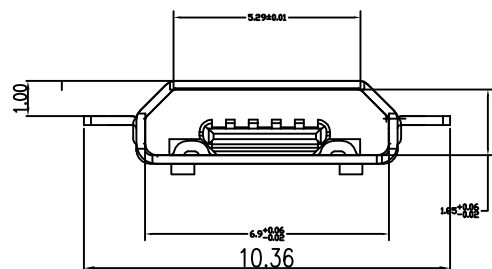
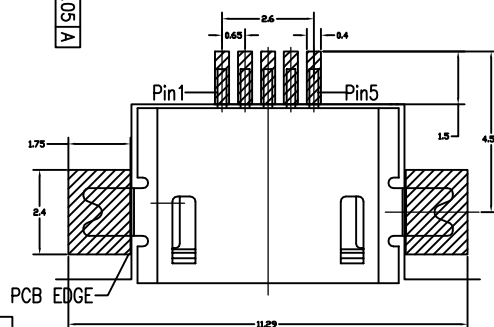
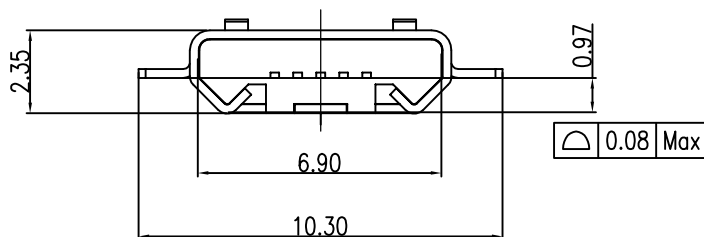
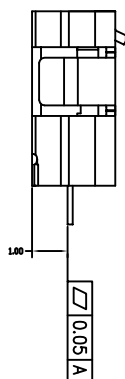
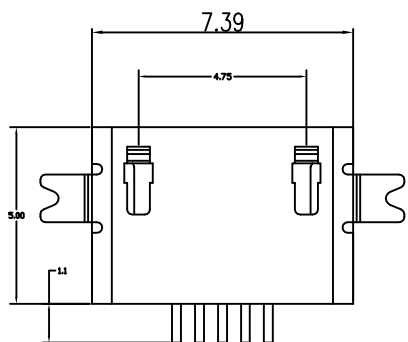


REV.	ECN. NO.	MODIFY. CONTENT	DATE
A		NEW	2013/3/29



NOTES:

1. 成品功能要求面不可有端子压伤及塑胶毛边。
2. 标有“▲”记号者为重点检验尺寸。
3. 未标注尺寸公差为依自由公差为准。
4. 成品端子平面度必须100%检测▲
5. 接缝强度1.0KgMin



RECOMMENDED PCB LAYOUT
PCB图仅供参考

规格说明 Specifications:

电气特性 Electrical:

1. 额定电流: Current Rating
1.8A/contact terminal
2. 额定电压: Voltage Rating
30V DC
3. 接触阻抗 Contact Resistance
50 milliohms MAX
4. 耐电压 Dielectric Withstanding Voltage:
300 V AC AT Sea Level
5. 绝缘阻抗 Insulation Resistance:
100MEGA ohms MIN

物理性能 Mechanical:

1. 插拔力: Connector Mate and Unmate Force
Mate force: 3.0kgf (MAX)
Unmate force: 0.7kgf (MIN)
2. 机械寿命: 5000次

原材料 Material:

1. 塑胶 Housing:
High Temperature Thermoplastics,
UL 94V-0 LCP Black
2. 端子: 磷铜 C5191 EH
3. 外壳 Shell: H65 EH

电镀 Finish:

1. 端子 Contact: Plated Gold in Mating Area;
Tin On Solder Talls
2. 外壳 Shell:
Nickel Plating (能过炉自动上锡)

GENERAL TOLERANCE		DWG NO.	JYSA0508-001	APPD:	WIND	Scale	1:1
X. ±0.45	x. ° ±5°	Title	MICRO USB 5PIN 沉板1.0MM 两脚全贴 平口	CHKD:		UNIT	mm
.X ±0.35	.x ° ±2°			DR:			
.XX ±0.25	.xx ° ±1°	Part NO.	JYS-USB100-076	Date	2013/03/29		
.XXX ±0.15	.xxx ° ±0.5°						
SHEET	1/1						

JYSCONN Shenzhen
JYSCONN Electronics Co., LTD.