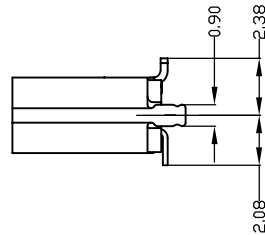
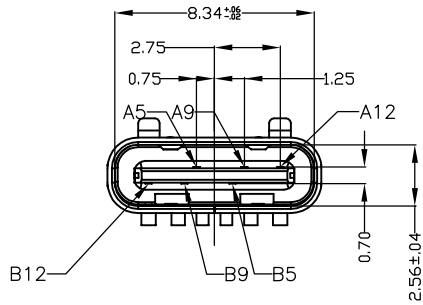
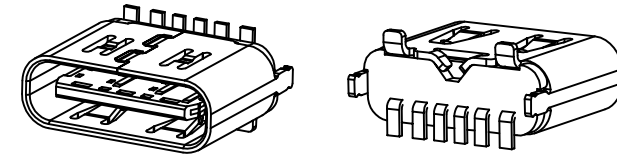
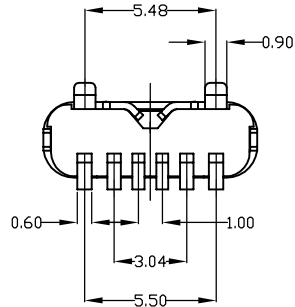
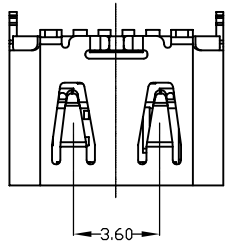


REV.	ECN.NO.	MODIFY.CONTENT	DATE
A		NEW	2018/10/31



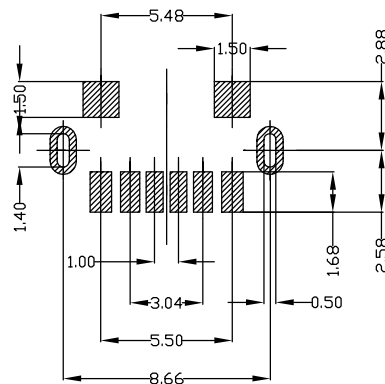
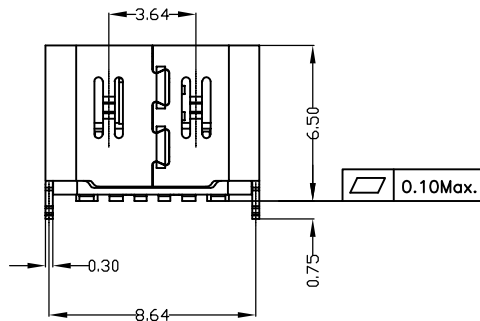
SPECIFICATION

1. ELECTRICAL CHARACTERISTICS:

- 1-1. VOLTAGE&CURRENT RATING:DC 30V MAX&3A
- 1-2. CONTACT RESISTANCE: 40mΩ MAX INITIAL.
- 1-3. INSULATION RESISTANCE: 1000MΩ MIN FOR VOLTAGE 100VDC.
- 1-4. DIELECTRIC WITHSTAND: 100V AC for 1 MINUTE
- 1-5. OPERATING TEMPERATURE: -25°C~+85°C
- 2. MECHANICAL CHARACTERISTICS:
- 2-1. INSERT FORCE: 5-20N Max
- 2-2. WITHDRAW FORCE: 5-20N Min
- 2-3. LIFE TEST :5,000 CYCLES

4	SHELL	STAINLESS STEEL	NI Plated	1PCS
3	MD	COPPER ALLOY	BLACK	1PCS
2	CONTACT	COPPER ALLOY	Au/Ni Plated	1SET
1	HOUSING	HIGH TEMPERATURE PLASTIC	BLACK	1PCS
NO.	DESCRIPTION	MATERIAL	REMARKS	QTY

A5	CC1	B12	GND
A9	VBUS	B9	VBUS
A12	GND	B5	CC2
PIN	SIGNAL NAME	PIN	SIGNAL NAME



RECOMMENDED P.C.B. LAYOUT
TOLERANCE UNSPECIFIED ±0.05mm

GENERAL TOLERANCE		DWG NO.	JYSA1014-03	APPD:	WIND	Scale	1:1
X.±0.45	x.±5'	Title	USB TYPE C 母座6P立贴 H=6.5	CHKD:		UNIT	mm
.X±0.35	.x'±2'			DR:			
.XX±0.25	.xx'±1'	Part NO.	JYS-USB650-029	Date	2018/10/31		
.XXX±0.15	.xxx'±0.5'			深圳市杰宇森电子有限公司 Shenzhen JieYuSen electronic co., LTD.			
SHEET	1/1						