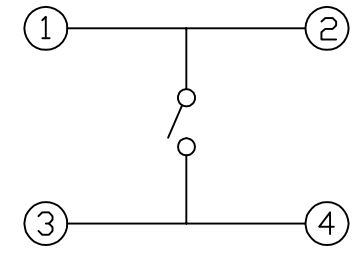
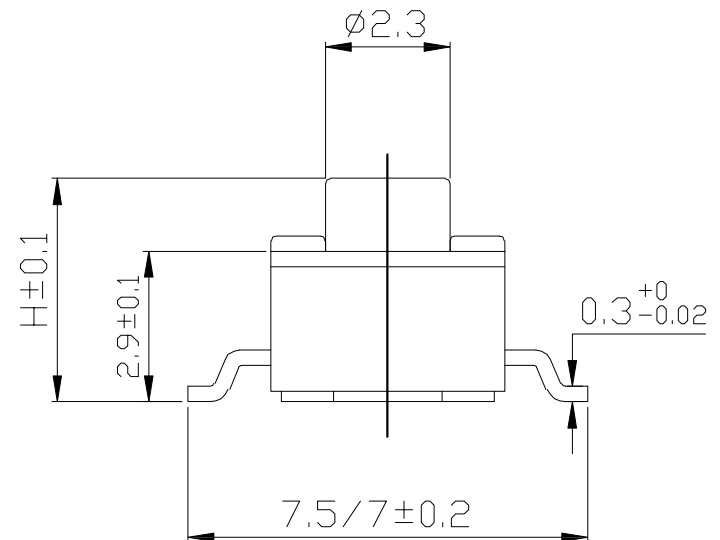
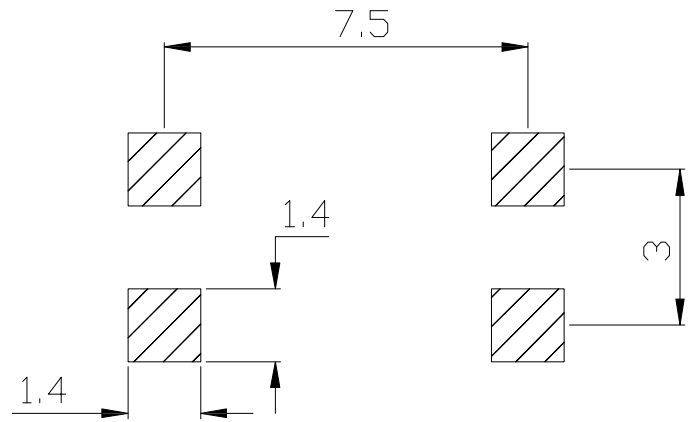
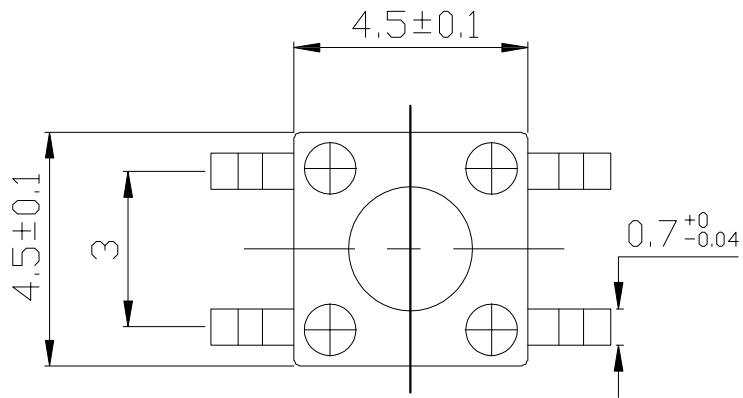


ITEM	H±0.1	
01	3.8	
02	4.0	
03	4.3	
04	4.5	
05	4.8	
06	5.0	√
07	5.5	
08	6.0	
09	6.5	
10	7.0	
11	7.5	
12	8.0	
13	9.0	
14	10.0	
15	11.0	
16	12.0	

REV.	ECN.NO.	MODIFY.CONTENT	DATE
A		NEW	2019/10/31



- Remarks:
1. Rated current, Voltage: DC 12V 50mA
  2. Contact resistance:  $\leq 100m\Omega$
  3. Insulation resistance:  $\geq 100M\Omega$
  4. The intensity of operations:  $250 \pm 50gf$
  5. Life requirements: 100000 times
  6. Withstand voltage: AC 250V 1 minute
  7. All materials comply with RoHS 2.0 standards

NO.	PART NAME	MATERIAL	QTY	FINISHING
5	Button	PPA	1	Black
4	Cover	SPCC	1	Cu-Sn Plating
3	Shrapnel	SUS	1	Ag Plating
2	Housing	PPA	1	Black
1	Terminal	Brass	4	Ag Plating

GENERAL TOLERANCE		DWG NO.	JYSA0909-001	APPD:	WIND	Scale	1:1
$x \leq 1$	$\pm 0.05$	Title	轻触开关/4.5*4.5*5.0mm	CHKD:		UNIT	mm
$1 \leq x \leq 5$	$\pm 0.10$			DR:			
$5 \leq x \leq 10$	$\pm 0.15$			Part NO.	JYS-TS500-053		Date
$x > 10$	$\pm 0.25$			Shenzhen <b>JYSCONN Electronics Co., LTD.</b>			
ANGLE	$\pm 3^\circ$	SHEET 1/1					