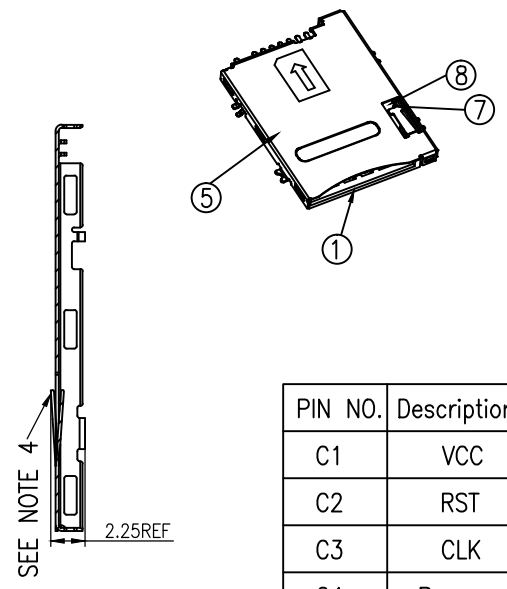
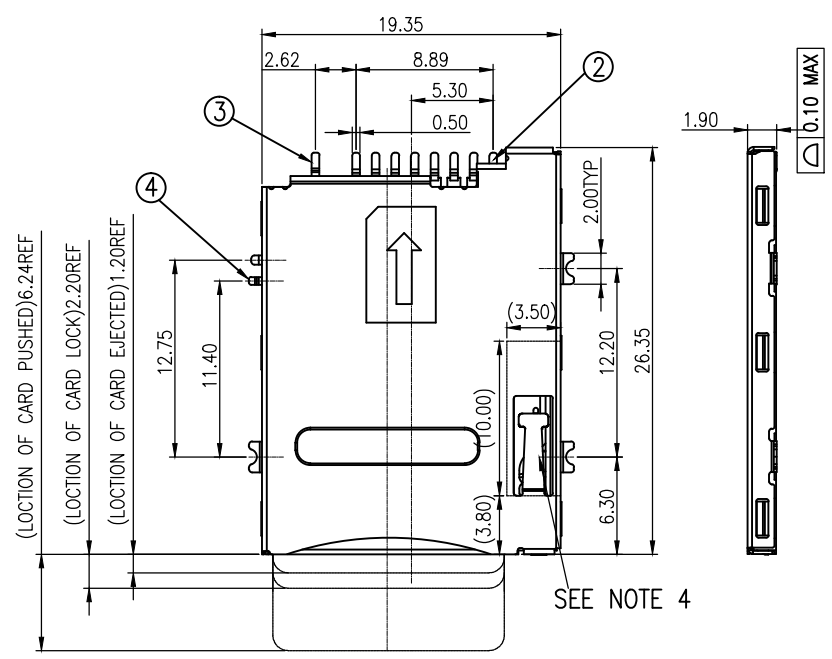
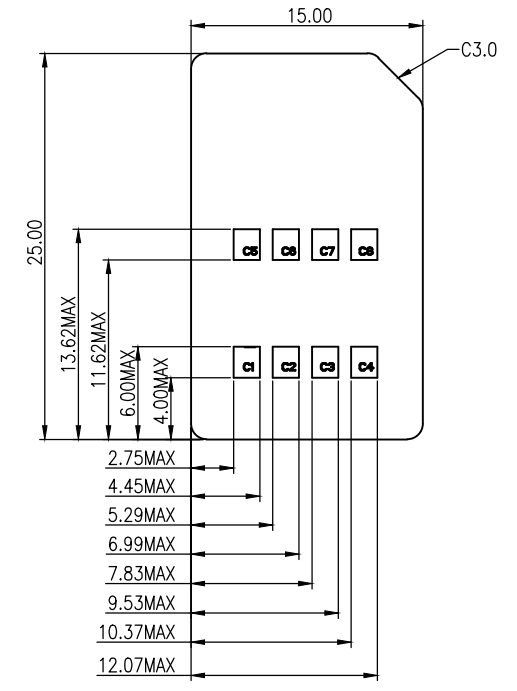


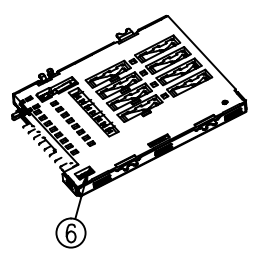
REV.	ECN.NO.	MODIFY.CONTENT	DATE
A		NEW	2016/11/29



PIN NO.	Description
C1	VCC
C2	RST
C3	CLK
C4	Reserved
C5	GND
C6	VPP
C7	I/O
C8	Reserved



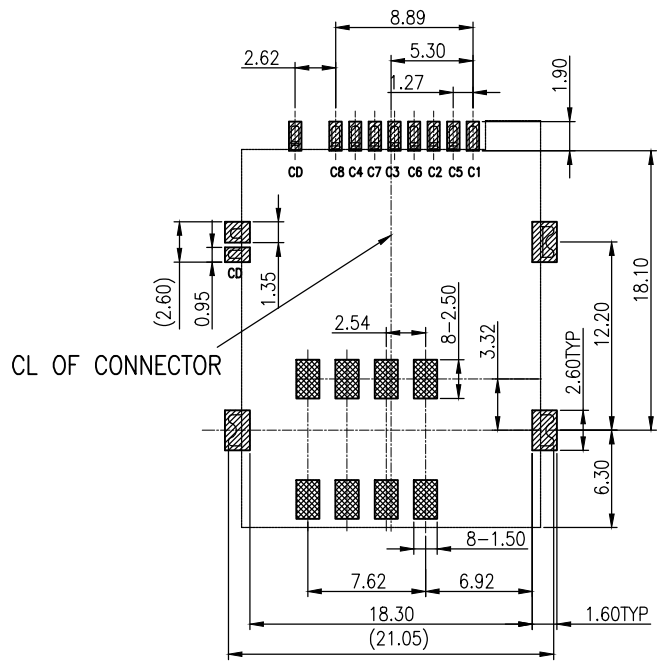
APPLICABLE CARD SIZE
THICKNESS:0.76±0.08MM



NO.	DESCRIPTION	Q'TY	Material
8	SLIDER	1	THERMOPLASTIC RATING UL94V-0
7	LINK	1	STAINLESS STEEL
6	SPRING	1	SWP
5	SHELL	1	STAINLESS STEEL
4	DETECT PIN2	1	COPPER ALLOY
3	DETECT PIN1	1	COPPER ALLOY
2	TERMRAL	1	COPPER ALLOY
1	HOUSING	1	LCP+50%G.F.UL94V-0

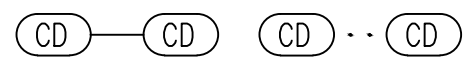
GENERAL TOLERANCE	DWG NO.	JYSA0525-009	APPD:	WIND	Scale	1:1
X.±0.45	x.*±5'	Title	1.9H PUSH SIM CARD 8+1PIN 无柱	CHKD:	UNIT	mm
.X±0.35	.x'±2'			DR:		
.XX±0.25	.xx'±1'	Part NO.	JYS-SIM190-202	Date	2016/11/29	
.XXX±0.15	.xxx'±0.5'	Shenzhen		JYSCONN Electronics Co., LTD.		
SHEET	1/3					

REV.	ECN.NO.	MODIFY.CONTENT	DATE
A		NEW	2016/11/29



 PATTERN PROHIBITION AREA

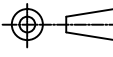
RECOMMENDED PCB LAYOUT
ALL TOLERANCE $\pm 0.05\text{MM}$



CARD INSERTING POSITION	OPEN
NO CARD POSITION	CLOSED

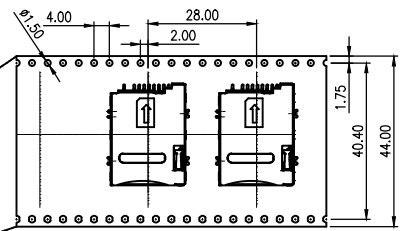
NOTES:

1. FINISH:
 - 1.1 CONTACT:
50u"MIN NICKEL UNDER PLATED, 1u"MIN GOLD PLATING ON CONTACT AREA, Solder foot brushed gold G/F
 - 1.2 SHELL:
50u" NICKEL UNDER PLATED;
Solder foot brushed gold G/F.
 - 1.3 DETECT PIN:
50u"MIN NICKEL UNDER PLATED, 1u"MIN GOLD PLATING ON CONTACT AREA, Solder foot brushed gold G/F.
2. SOLDER TAIL COPLANARITY: 0.08MM MAX;
3. COMPLIANCE WITH HSF DIRECTIVE.
4. MAXIMAL TOTAL HEIGHT WHEN INSERTING SIM CARD, NEED AVOID THIS AREA
5. SPECIALITY:
 - 2.1 RATED CURRENT: 0.5A
 - 2.2 RATED VOLTAGE: 12V
 - 2.3 CONTACT RESISTANCE: 50mΩ MAX
 - 2.4 INSULATION RESISTANCE: 1000MΩ MIN 500V DC
 - 2.5 DIELECTRIC WITHSTANDING VOLTAGE: 500V AC.
 - 2.6 OPERATING CONDITION: TEMPERATURE -40℃~+85℃;
HUMIDITY 80% R.H MAX
6. METAL MASK THICKNESS 0.10MM MIN

GENERAL TOLERANCE		DWG NO.	JYSA0525-009	APPD:	WIND	Scale	1:1
X.±0.45	x.±5°	Title	1.9H PUSH SIM CARD 8+1PIN 无柱	CHKD:		UNIT	mm
.X±0.35	.x'±2°			DR:			
.XX±0.25	.xx'±1°	Part NO.	JYS-SIM190-202	Date	2016/11/29		
.XXX±0.15	.xxx'±0.5°						
SHEET	2/3			JYSCONN Shenzhen JYSCONN Electronics Co., LTD.			

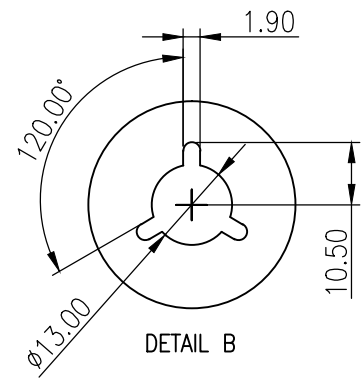
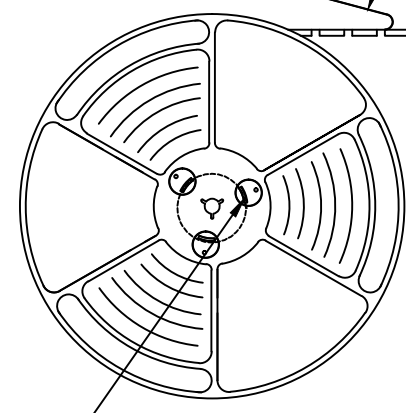
REV.	ECN.NO.	MODIFY.CONTENT	DATE
A		NEW	2016/11/29

User Direction of Unreeling →



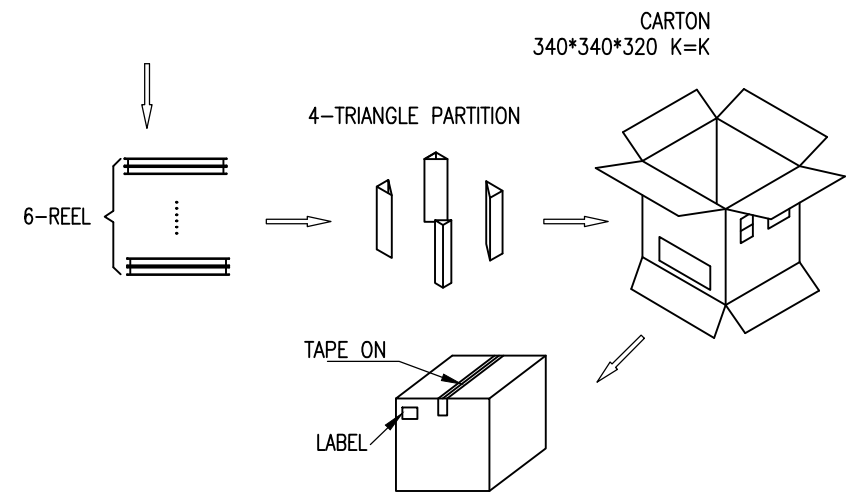
COVER TAPE PEELING ANGLE: 165°~180°
PEELING FORCE: 20~130g

User Direction of Unreeling →



NOTES

- NUMBER OF CONNECTORS: 500PCS/REEL
- LEAD TAPE LENGTH
- QUANTITY: 3000PCS/CARTON
- WEIGHT :
 3.1 NET WEIGHT : Kg
 3.2 GROSS WEIGHT : Kg



GENERAL TOLERANCE		DWG NO.	JYSA0525-009	APPD:	WIND	Scale	1:1
X.±0.45	x.'±5'	Title	1.9H PUSH SIM CARD 8+1PIN 无柱 包装图	CHKD:		UNIT	mm
.X±0.35	.x'±2'			DR:			
.XX±0.25	.xx'±1'	Part NO.	JYS-SIM190-202	Date	2016/11/29		
.XXX±0.15	.xxx'±0.5'						
SHEET	3/3			 JYSCONN Electronics Co., LTD.			